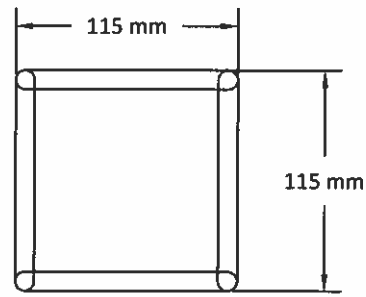


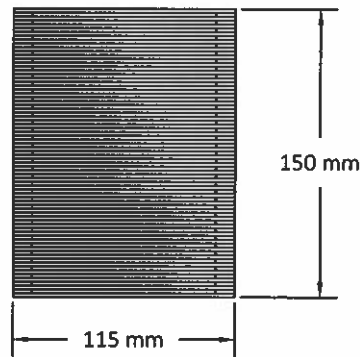
NOTES

- 1) THIS DESIGN IS AN EXAMPLE ONLY AND THE DIMENSIONS SHOWN CAN BE CHANGED. THE FINAL DESIGN MUST BE WITHIN THE DESIGN SPECIFICATIONS.
- 2) DIMENSIONS ARE IN millimeters (mm).
- 2) THE MAXIMUM UNSUPPORTED CLEAR SPAN CAN NOT EXCEED 1200 mm.
- 3) THE MAXIMUM LENGTH OF THE ENTIRE BRIDGE CAN NOT EXCEED 1300 mm.
- 4) THE MAXIMUM HEIGHT OF THE BRIDGE FROM THE BOTTOM OF THE ABUTMENTS TO TALLEST POINT SHALL NOT EXCEED 420 mm.
- 5) THE MAXIMUM HEIGHT OF THE DECK OR PLATFORM FROM THE BOTTOM OF THE ABUTMENTS SHALL NOT EXCEED 420 mm.
- 6) THE MAXIMUM WIDTH OF THE BRIDGE AT ANY POINT SHALL NOT EXCEED 300 mm.
- 7) THE MINIMUM ALLOWABLE WIDTH OF THE BRIDGE ABUTMENTS SHALL BE 115 mm.
- 8) THE LOAD WILL BE APPLIED ON THE DECK OF THE BRIDGE. A CLEAR OPENING OF 100 mm BY 200 mm (W x L) MUST BE MAINTAINED ABOVE THE CENTER OF THE BRIDGE DECK.
- 9) TRUSSES AND DECK SUPPORTS MAY BE PINNED USING TOOTHPICKS.

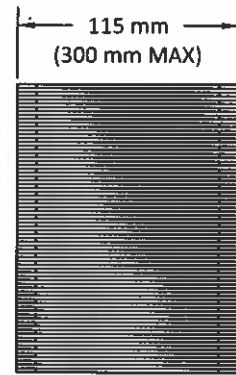




TOP VIEW

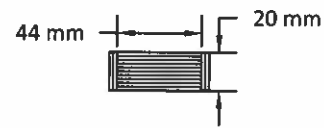


FRONT VIEW

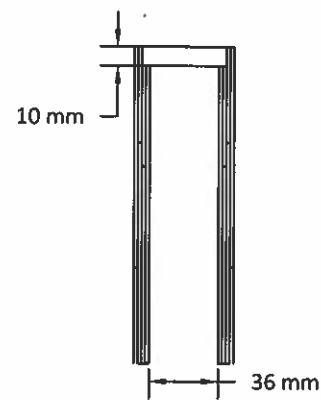


SIDE VIEW

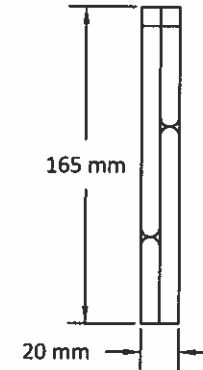
ABUTMENT



TOP VIEW

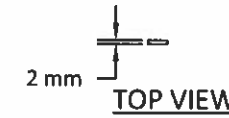


FRONT VIEW

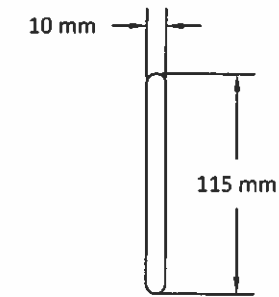


SIDE VIEW

DECK SUPPORT



TOP VIEW

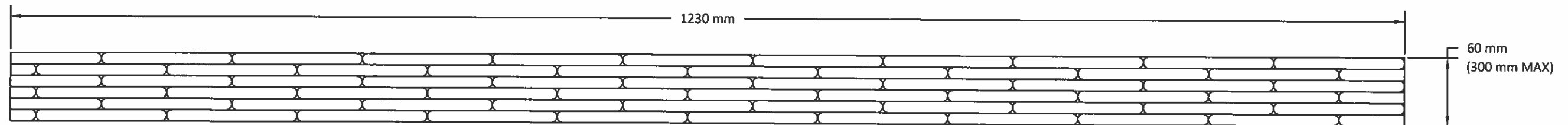


FRONT VIEW



SIDE VIEW

POPSICLE



TOP VIEW

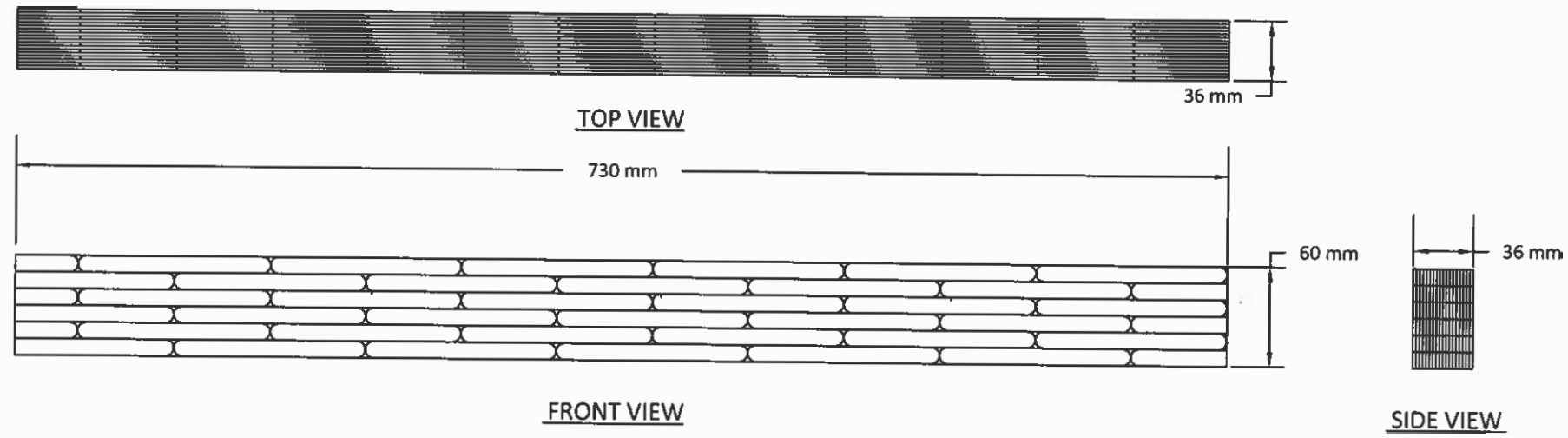


FRONT VIEW

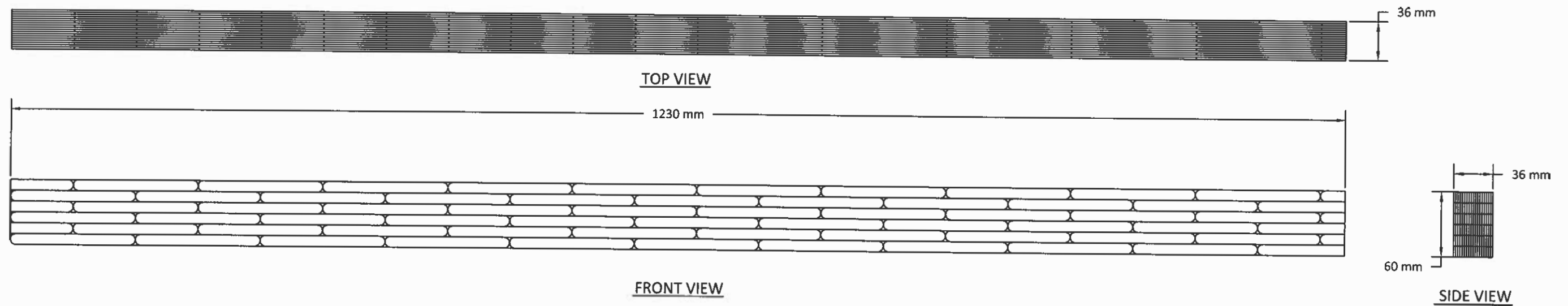
SIDE VIEW

DECK





TRUSS



CROSS TRUSS

